



100%
MADE
in EU

**Quality and ecology are important to you?
Show it with a gift!
Original, local and ecological.**

FULL PERSONALIZATION
GRAPHIC SUPPORT
FAST PRODUCTION

TABLE OF CONTENTS:

GADGETS FOR GROWING PLANTS

N	• Grow Kit Bucket	4
	• Plant wood	5
	• Diorama	6
	• Plant case	7
	• Double plant case	8
	• Grow kit minimal	9
	• Nature's supplement	10
	• Bouquet in a vial - 3-pack	11
	• Ceramic 3-pack	12
	• Ceramic 3-pack XXL	13
	• Grow kit square	14
	• Grow kit round	15
	• Grow kit in a tin	16
	• Mini box	17
N	• Nature capsules	19
	• Grow kit ceramic	20
	• Grow kit paper	21
	• Anti-smog mix	22
	• Eco hanger with seeds	23
	• Seed paper	24
N	• Growing Affirmation Cards	25
	• Grow kit in a glass jar with natural soil	26
	with colored sand	27
	• Bouquet in a vial	28
	• Natural bookmark	29
	• Message in a bottle	30
	• Growing confetti	31
	• Ecocup	32
	• Ecobag	33
	• Mini sachet	34
	• Mini envelope	35
	• Folder with seeds	36
	• Nature 3-pack	37
	• Growing pencil	38
	• Paper pen	39
	• Nature box	40
	• Plant stick	41
	• Available seeds	42

SAVE THE BEES

N	• Bee House	44
	• Bee Bomb in a glass jar	45
	in a paper box	46
	in a paper wrap	47
	in a jute bag	48
	• Microcosmos	49
	• Bee Bombs - 4-pack in a case	50
	• BeeLove compact	51
	• Bee case	53

READY PLANTS

• Moss in a pot	55
• Tillandsia case	56
• Plant in a jute bag	57

COFFEE, TEA & SWEETS

• Sweet card	59
• Tea & sweets	60
• Coffee & Tea in a jar	61
in a bag	62
• Eco choco small 53 g	63
large 105 g	64

RELAX & SPA

• Eyebag with lavender	66
• Cherry pit warmer	67
• Candles with pearled wax pearled candle	68
Do It Yourself set	69
• Plant based scented candles in a jar	70
with a wooden lid	71
massage	72
• Plant based hand made soaps	73
from a '100% HAND MADE' mold	74
• Natural bath salt in a jar	75
in a bag	76

SETS

• Chill and grow	78
• Chill and tea	79
• Warmth & serenity	80
• ECOoffice set	81
• Eco trinkets	82
• Cosmos	82
• Bless You!	83
• BeeLove	83
• You're NOT sacked!	84
• Good Night's SPA	84
• Christmas DeLuxe 1	85
• Christmas DeLuxe 2	86
• Christmas DeLuxe 3	87



Gadgets for growing plants

It is enough to unbox it and add some water, after a few days a graceful plant starts to grow. Effect? Your gadget quickly becomes the star of every desk, countertop and windowsill. It evokes positive emotions and draws attention, just like your brand.



Grow Kit Bucket

This metal bucket with a handle serves as a pot, and inside is a set for growing your chosen plant. Choose your color and make someone a growing surprise.

NEW



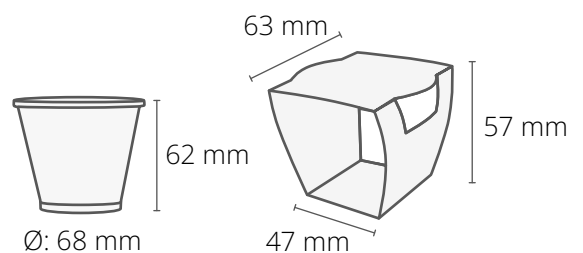
BRANDABLE ELEMENTS

- full color label on the bucket, Ø: 25 mm
- wrap, full color print, paper white eco or kraft

OTHER ELEMENTS

- metal bucket - ask about colors
- seeds of a chosen plant in a biodegradable capsule
- peat pellet / coco pellet

DIMENSIONS

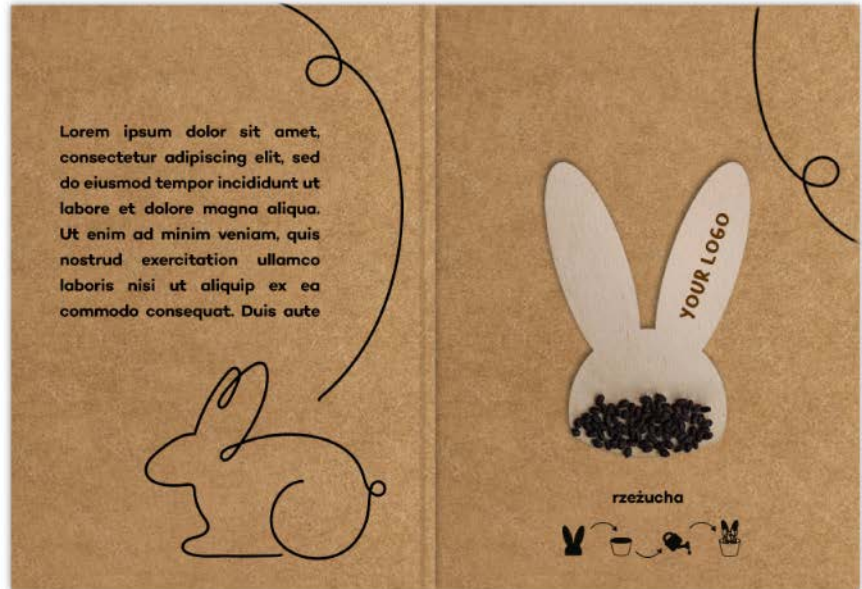


WE USE FSC CERTIFIED PAPER

Plant wood

Selected shape cut in wood, attached to a decorative card.

Insert the bottom part into the pot and grow the plant of your choice.



Ask us for your own wood shape, send us yours or choose one of ours:



BRANDABLE ELEMENTS	<ul style="list-style-type: none"> • card with planting instructions, two-sided full color print, paper white eco or kraft • choice of shape of the wood • engraving on the wood 	DIMENSIONS		
OTHER ELEMENTS	<ul style="list-style-type: none"> • seeds of chosen plant 			

Diorama

**We all know meetings that could have been an email.
How about meetings that are a box? :)**

A miniature of a company meeting, not only for those in the home office! On the conference table there is, among others: a pot with a selected plant!



BRANDABLE ELEMENTS

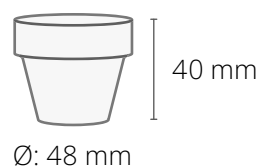
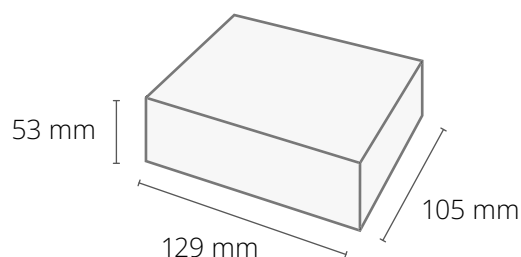
- insert with planting instructions, full color print, paper white eco or kraft
- wrap on box, full color print, paper white eco or kraft

- * Optional:
- from 500 pcs full color print on box

OTHER ELEMENTS

- ceramic pot
- seeds of a chosen plant in a biodegradable capsule
- peat pellet / coco pellet
- kraft box

DIMENSIONS



Plant case

A plant growing kit in a kraft case that fits like a glove.
Even unpacking is fun, and that's just the beginning!



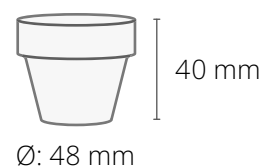
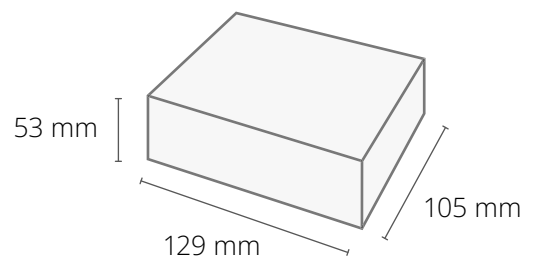
BRANDABLE ELEMENTS

- insert with planting instructions, full color print, paper white eco or kraft
 - full color label on the pot Ø: 20 mm
 - wrap on box, full color print, paper white eco or kraft
- * Optional:
- from 500 pcs full color print on box

OTHER ELEMENTS

- ceramic pot
- seeds of a chosen plant in a biogradable capsule
- peat pellet / coco pellet
- kraft box

DIMENSIONS



Double plant case

Same size, two pots. Because more is more!



BRANDABLE ELEMENTS

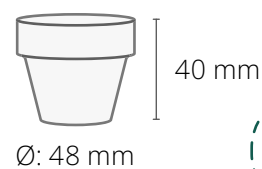
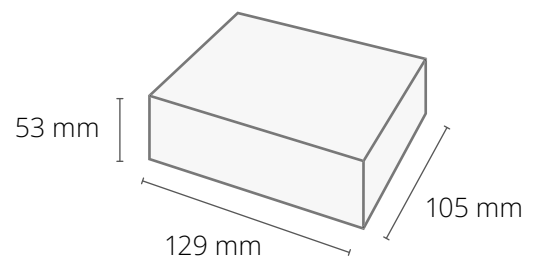
- insert with planting instructions, full color print, paper white eco or kraft
- 2× full color label on the pot Ø: 20 mm
- wrap on box, full color print, paper white eco or kraft

- * Optional:
- from 500 pcs full color print on box

OTHER ELEMENTS

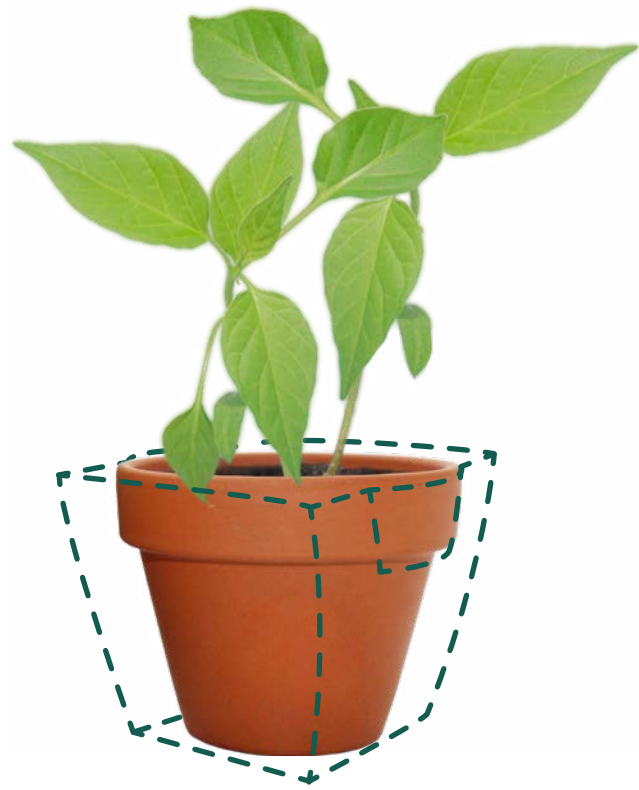
- 2× ceramic pot
- 2× seeds of a chosen plant in a biodegradable capsule
- 2× peat pellet / coco pellet
- kraft box

DIMENSIONS



Grow kit minimal

Simplicity and minimalism go hand in hand with ecology. Ceramic pot, peat disc and selected seeds.



white eco paper



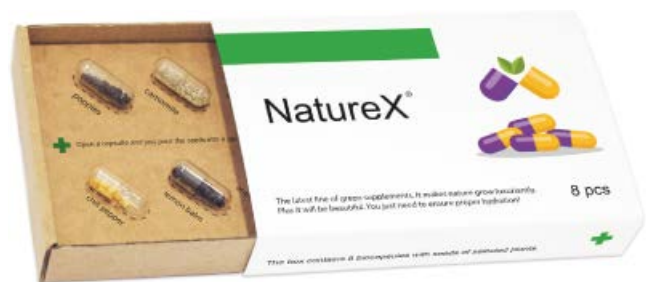
kraft paper

BRANDABLE ELEMENTS		DIMENSIONS	
	<ul style="list-style-type: none"> • wrap, full color print, paper white eco or kraft 	<p>Ø: 70 mm 59 mm</p>	<p>72 mm 45 mm 59 mm</p>
OTHER ELEMENTS	<ul style="list-style-type: none"> • ceramic pot • seeds of a chosen plant in a biogradable capsule • peat pellet / coco pellet 		

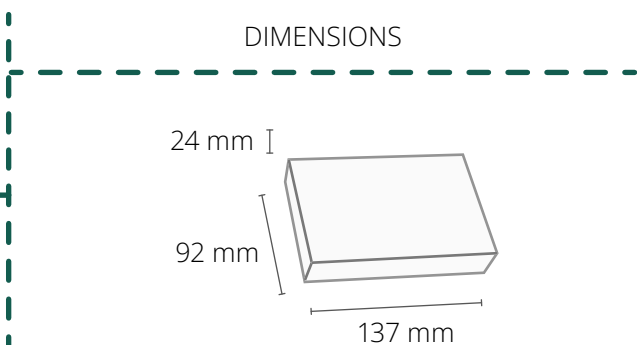


Nature's supplement

The latest line of green supplements. It makes nature grow luxuriantly. Plus it will be beautiful. You just need to ensure proper hydration! The box contains 8 biocapsules with seeds of selected plants.



BRANDABLE ELEMENTS	<ul style="list-style-type: none"> • insert, full color print, paper white eco or kraft • wrap on box, full color print, paper white eco or kraft
OTHER ELEMENTS	<ul style="list-style-type: none"> • 8× seeds of a chosen plant in a biogradable capsule • kraft box



Bouquet in a vial - 3-pack

Three elegant glass vials with cork, containing selected seed types and natural additives to aid growth. All in a matching case.



white eco paper

kraft paper

		DIMENSIONS	
BRANDABLE ELEMENTS	<ul style="list-style-type: none"> • packaging with planting instructions, two-sided full color print, paper white eco or kraft 		
OTHER ELEMENTS	<ul style="list-style-type: none"> • 3× seeds of a chosen plant + additives • 3× glass vial with a cork plug 		



Ceramic 3-pack

**A set of three plants in an ecological, fully brandable box.
Ceramic pots contain seeds and specifically prepared subsoil.**

A mix of herbs for the kitchen, trees, flowers, decorative plants?
There are as many choices as there are gift-giving occasions.



BRANDABLE ELEMENTS	<ul style="list-style-type: none"> • packaging with full color print, paper white or kraft 	DIMENSIONS	
OTHER ELEMENTS	<ul style="list-style-type: none"> • 3× ceramic pot • 3× seeds of a chosen plant in a biogradable capsule • 3× peat pellet / coco pellet 		



Ceramic 3-pack XXL

A more magnificent cousin of the standard ceramic 3-pack. The pots are bigger and the set includes ceramic coasters.



BRANDABLE
ELEMENTS



- packaging with full color print, paper white or kraft

OTHER
ELEMENTS



- 3× ceramic pot



- 3× seeds of a chosen plant in a biodegradable capsule



- 3× peat pellet / coco pellet



- 3× ceramic coaster



Grow kit square

Wooden casing conceals environment for growing the selected plant. Just unpack and water it. Effect? Your gadget quickly becomes the star of every desk, countertop and windowsill. It evokes positive emotions and draws attention, just like your brand.



		DIMENSIONS
BRANDABLE ELEMENTS	<ul style="list-style-type: none"> • wrap with planting instructions, full color print, paper white eco or kraft • engraving on the wooden case, maximal size: 65 × 90 mm 	
OTHER ELEMENTS	<ul style="list-style-type: none"> • kraft eco cup 250 ml • peat pellet / coco pellet • seeds of a chosen plant in a biodegradable capsule 	



Grow kit round

Wooden casing conceals environment for growing the selected plant. Just unpack and water it. Effect? Your gadget quickly becomes the star of every desk, countertop and windowsill. It evokes positive emotions and draws attention, just like your brand.



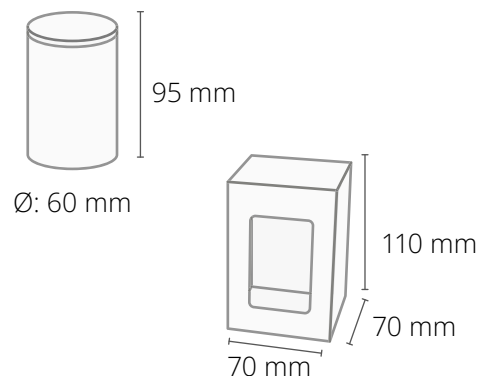
BRANDABLE ELEMENTS

- label on the lid, full color, 16 × 120 mm
- engraving on the wooden case, max size: 30 × 80 mm
- planting instructions, full color print, paper white eco or kraft, 40 × 55 mm
- label on the box, full color, Ø: 40 mm
- * Optional:
- from 1000 pcs possible direct full color print on box

OTHER ELEMENTS

- wooden lid
- peat pellet / coco pellet
- seeds of a chosen plant in a biodegradable capsule
- kraft box with a window


DIMENSIONS



Grow kit in a tin

A kit for plant growing in a long-lasting metal tin with a lot of space for personalisation.



BRANDABLE ELEMENTS	<ul style="list-style-type: none">• full color label around the tin 35 × 240 mm• full color label on the lid Ø: 60 mm• planting instructions, full color print, kraft paper, 45 × 60 mm	DIMENSIONS
OTHER ELEMENTS	<ul style="list-style-type: none">• metal tin• seeds of a chosen plant in a biodegradable capsule• vermiculite for plant growth enhancement• peat pellet / coco pellet• stirring stick	 <p>55 mm</p> <p>Ø: 75 mm</p>



Mini box

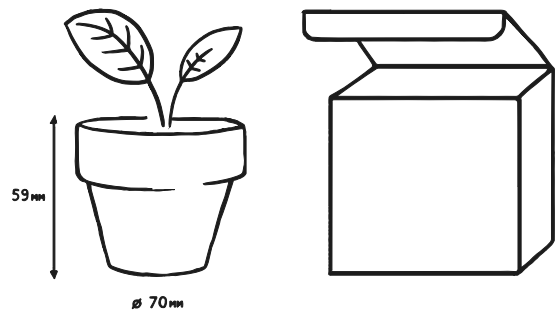
A miniaturized, simpler version of the classic grow kits. Inside the box you will find selected seeds in a bio capsule, peat pellet and a peat or ceramic pot.



white eco paper



kraft paper



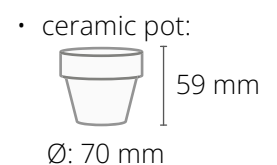
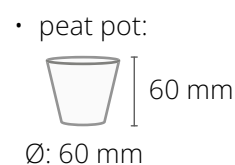
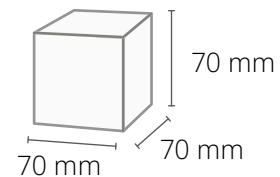
BRANDABLE ELEMENTS

- box, one sided full color print, paper white eco or kraft
- full color label on the ceramic pot, Ø: 30 mm

OTHER ELEMENTS

- seeds of a chosen plant in a biodegradable capsule
- ceramic or peat pot
- peat pellet / coco pellet

DIMENSIONS



Personalise entire surface

The entire marking area at your disposal. Prepare a grid-based design or rely on us - free of charge.



Nature capsules

A neat tin filled with capsules containing seed sets.
Each capsule contains enough seeds for a large pot!

Ready-made seed sets:

Kitchen herbs - basil, thyme, oregano

Vegetables - chili pepper, cherry tomato, onion

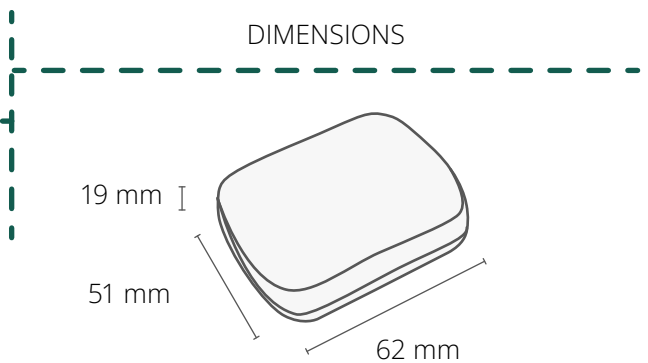
Flowers - forget-me-not, daisy, zinnia

Herbs for infusions - chamomile, lemon balm, sage

Interested in a custom set? Let us know!



BRANDABLE ELEMENTS	<ul style="list-style-type: none"> • 2x full color label, 45 x 36 mm
OTHER ELEMENTS	<ul style="list-style-type: none"> • 15x seeds of a chosen plant in a biogradable capsule



Grow kit ceramic

Neatly packed, ceramic growing kit with a plant of your choice
- add some water and watch it grow stronger day by day!



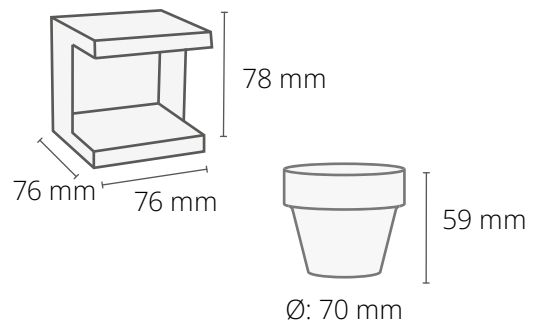
BRANDABLE ELEMENTS

- packaging with planting instructions on the back, one sided full color print, paper white eco or kraft
- full color label on the pot, Ø: 30 mm
- label on top, full color, 16 × 128 mm

OTHER ELEMENTS

- ceramic pot
- ceramic pot coaster
- seeds of a chosen plant in a biodegradable capsule
- peat pellet / coco pellet

DIMENSIONS



Grow kit paper

This Grow Kit is made of hardened paper.
Just water it! ;)



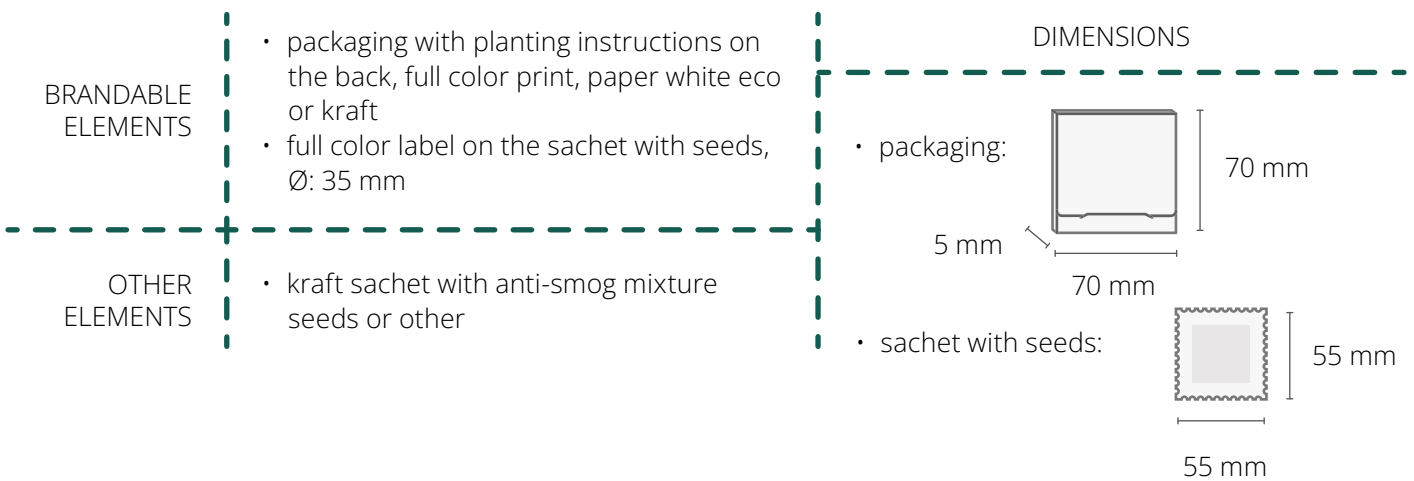
		DIMENSIONS
BRANDABLE ELEMENTS	<ul style="list-style-type: none"> • wrap around the container with planting instructions, full color print, paper white eco or kraft • full color label on the lid, Ø: 70 mm 	
OTHER ELEMENTS	<ul style="list-style-type: none"> • container • seeds of a chosen plant in a biogradable capsule • vermiculite for plant growth enhancement • 2× peat pellet / coco pellet • stirring stick 	



Anti-smog mix

Would you like to improve the quality of the air in your environment? Give your customers anti-smog plants!

We've selected a mix of European flower species that filter dangerous elements. Take care of the environment - simply and naturally.



Eco hanger with seeds

A small, tasteful gift? Or maybe an interesting addition to something bigger?

Choose a shape for the occasion from several of our proposals or ask for your own design. Decide what seeds to put in the biocapsule and you're ready to go.

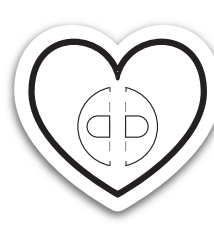
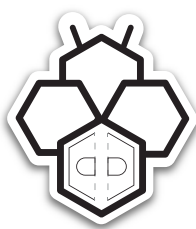


kraft paper



white eco paper

Ask us for your own hanger shape, send us yours or choose one of ours:



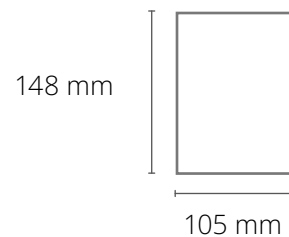
BRANDABLE
ELEMENTS

- card with planting instructions, two-sided full color print, paper white eco or kraft
- choice of shape of the hanger

OTHER
ELEMENTS

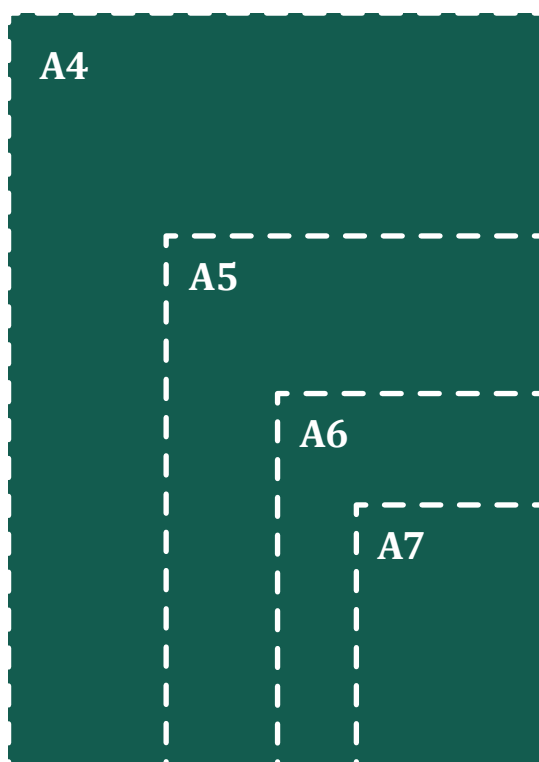
- hanger, paper white eco or kraft
- seeds of chosen plant in a biodegradable capsule

DIMENSIONS



Seed paper

Occasional card can be a gadget in itself! Ecological paper pressed with seeds. After soaking and putting it in soil, your company's stationery will sprout.



Handmade paper, approx. 200 g/m²
Full color print: one- or two-sided
Formats: A4-A7, DL



Growing Affirmation Cards



A pack full of sheets featuring a beautiful graphic and an affirmation to brighten your day. Set also contains growing seed sheets to write on yourself. First, you sow a good mood, then you grow a plant. :)



Examples of affirmation cards:



x 16



Reverse:

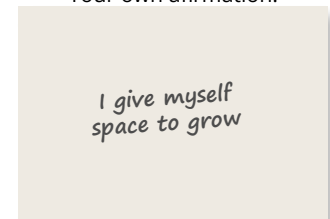


Growing cards:



x 4

Your own affirmation:



BRANDABLE ELEMENTS

- packaging with planting instructions on the back, full color print, paper white eco or kraft
- 16x card with affirmations, one-sided print, full color logo print, paper white eco or kraft, 65 x 45 mm

OTHER ELEMENTS

- 4x seed paper card for own affirmations

DIMENSIONS

- packaging: 60 mm

- affirmations: 45 mm



Grow kit in a glass jar with natural soil

Esthetically and carefully made, it catches the eye from the moment it is presented. Each day is a new leaf on the desk and a whole package of good emotions that build the image of your brand.



BRANDABLE ELEMENTS

- full color UV label on a transparent foil, 65 × 57 mm
- full color label on the lid, Ø: 70 mm
- full color tag, paper white eco or kraft, 30 × 65 mm
- full color label on the box, Ø: 45 mm
- planting instructions, full color print, paper white eco, 70 × 70 mm
- natural soil
- lid color

- * Optional:
- full color print on the box

OTHER ELEMENTS

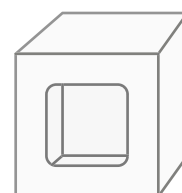
- seeds of a chosen plant
- glass jar 350 ml
- kraft box with a window

DIMENSIONS



95 mm

Ø: 75 mm



100 mm

100 mm



Grow kit in a glass jar with colored sand

Esthetically and carefully made, it catches the eye from the moment it is presented. Each day is a new leaf on the desk and a whole package of good emotions that build the image of your brand.



SAND COLORS ARE MATCHED TO THE PROJECT

AVAILABLE LID COLORS

white black shine black matt

BRANDABLE ELEMENTS

- full color UV label on a transparent foil, 65 × 57 mm
- full color label on the lid, Ø: 70 mm
- full color label on the box, Ø: 45 mm
- planting instructions, full color print, paper white eco, 70 × 70 mm
- sand in a chosen color
- lid color

- * Optional:
- full color print on the box

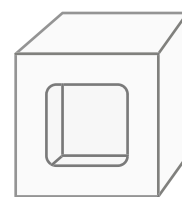
OTHER ELEMENTS

- seeds of a chosen plant
- glass jar 350 ml
- peat pellet / coco pellet
- kraft box with a window

DIMENSIONS



95 mm



100 mm

100 mm

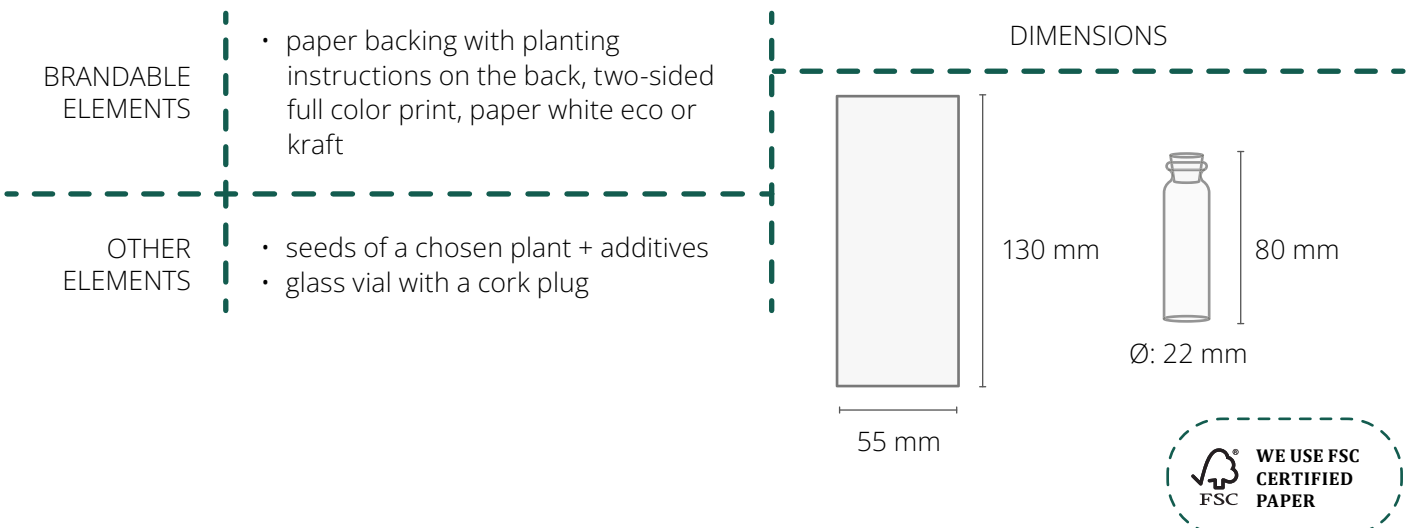
100 mm



Bouquet in a vial

A bouquet in a vial instead of cut flowers? A piece of forest, or maybe a flower meadow? One thing is for sure: it will be green! An elegant idea for an eco-friendly gift.

Glass vial, closed with a cork plug, contains selected seeds and additives that will facilitate the growth of the plants. You just have to pour the contents into a pot or on the ground and add some water.



Natural bookmark

A traditional, paper book just asks for a bookmark. We attach a sachet full of selected seeds to each of them - every opportunity is good to do something for nature!



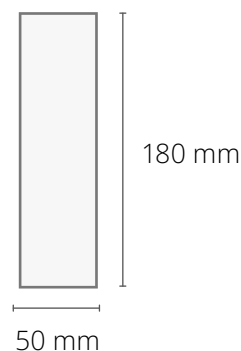
BRANDABLE ELEMENTS

- bookmark with planting instructions on the back, two-sided full color print, paper white eco or kraft
- full color print on the tag, paper white eco or kraft

OTHER ELEMENTS

- sachet with seeds of a chosen plant, paper white eco or kraft

DIMENSIONS



Message in a bottle

Eye-catching roll of seed paper with your message, QR code, image. We guarantee that it will reach the recipient :)



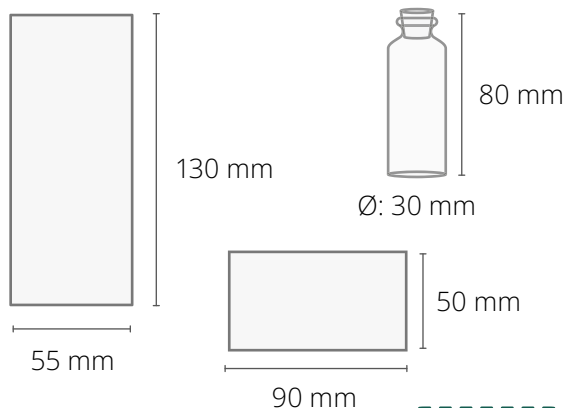
BRANDABLE ELEMENTS

- roll of seed paper, two-sided full color print
- paper backing, two-sided full color print, paper white eco or kraft

OTHER ELEMENTS

- glass vial with a cork plug

DIMENSIONS



Growing confetti

A neat vial filled with seed paper confetti.



BRANDABLE
ELEMENTS

- paper backing with planting instructions on the back, two-sided full color print, paper white eco or kraft

OTHER
ELEMENTS

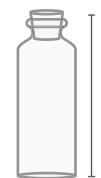
- seed paper confetti
- glass vial with a cork plug

DIMENSIONS



55 mm

130 mm



80 mm

Ø: 30 mm



Ecocup

One of our classics - plant growing kit in an eco cup. Whole thing covered in a wrap. Lots of space for branding!

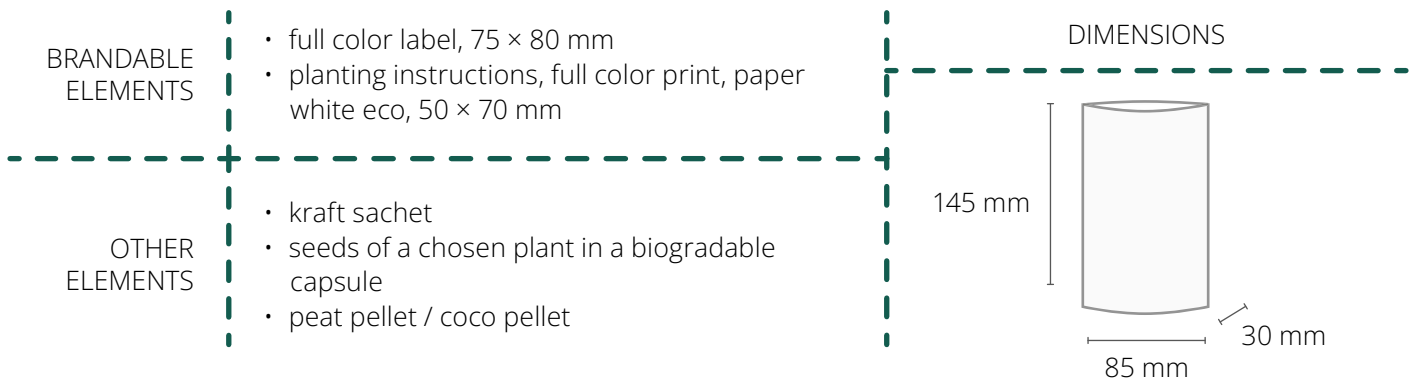


BRANDABLE ELEMENTS	<ul style="list-style-type: none"> • full color label on the cup, Ø: 35 mm • wrap with planting instructions, full color print, paper white eco or kraft, * Optional: <ul style="list-style-type: none"> • possible direct print on the cup in quantities in multiples of 1000 pcs 	DIMENSIONS
OTHER ELEMENTS	<ul style="list-style-type: none"> • paper cup 250 ml, kraft or white • seeds of a chosen plant in a biodegradable capsule • peat pellet / coco pellet 	



Ecobag

Ecobags contain seeds of a chosen plant and an environment for its growth. When the plant sprouts, it's very easy to replant it into a bigger container or straight into nature.



Mini sachet

A portion of seeds. Ideal as a small gift or an addition to your product.



AVAILABLE SEED MIXES FOR MINI SACHET UP TO 1000 PIECES:



flower meadow



anti-smog mix

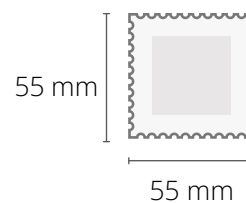
BRANDABLE ELEMENTS

- full color label Ø: 35 mm
- label with planting instructions on the back side, Ø: 20 mm

OTHER ELEMENTS

- kraft sachet
- seeds of a chosen plant

DIMENSIONS



 WE USE FSC CERTIFIED PAPER

Mini envelope

A portion of seeds. Ideal as a small gift or an addition to your product.



		DIMENSIONS
BRANDABLE ELEMENTS	<ul style="list-style-type: none">• full color label Ø: 45 mm• insert with planting instructions, kraft paper, 40 × 55 mm* Optional:<ul style="list-style-type: none">• from 100 pcs possible direct print	<p>82 mm</p> <p>110 mm</p>
OTHER ELEMENTS	<ul style="list-style-type: none">• kraft envelope• seeds of a chosen plant	



Folder with seeds

A simple and foolproof way for an ad – with an addition of selected seeds. Sometimes less is more!



BRANDABLE ELEMENTS

- folder with full color two-sided print, paper white eco or kraft
- full color label:
 - mini sachet Ø: 35 mm
 - mini envelope Ø: 45 mm
- * Optional:
 - from 100 pcs possible direct print on the mini envelope

DIMENSIONS

- in the picture: A4 folded into A5
- other formats possible

OTHER ELEMENTS

- seeds of a chosen plant
- mini sachet or mini envelope



Nature 3-pack

Three different plants in one set. Take care of them, watch them grow and when they are ready – replant them in a bigger pot. It is already a small grove!



BRANDABLE ELEMENTS

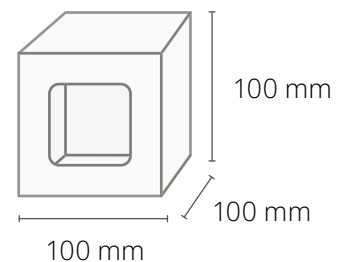
- 3× planting instructions, full color print, paper white eco or kraft, 40 × 55 mm
- tag tied to the box, full color print, paper white eco or kraft, 40 × 65 mm

- * Optional:
- full color print on the box

OTHER ELEMENTS

- 3× seeds of a chosen plant in a biodegradable capsule
- 3 wooden clips
- 3 peat pots
- 3 peat / coco pellets in an eco bag
- kraft box with a window

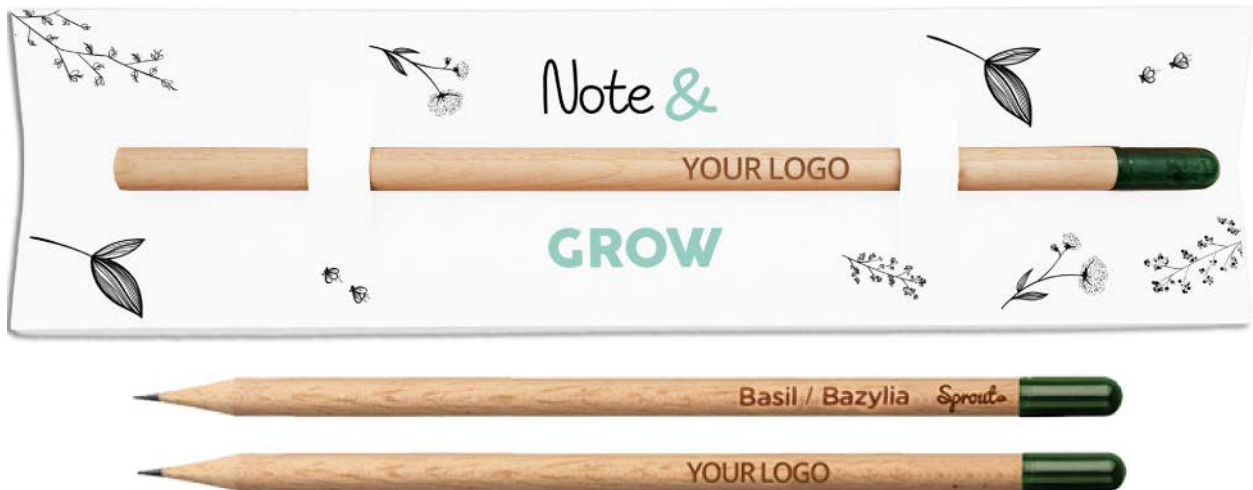
DIMENSIONS



Growing pencil

The tip of this pencil hides a surprise. Instead of a rubber, it has a special container for seeds.

After use, put the pencil in the pot and it's done: instead of wiping off the carbon footprint on a piece of paper, you are wiping it off in nature. :)



Available seed species:



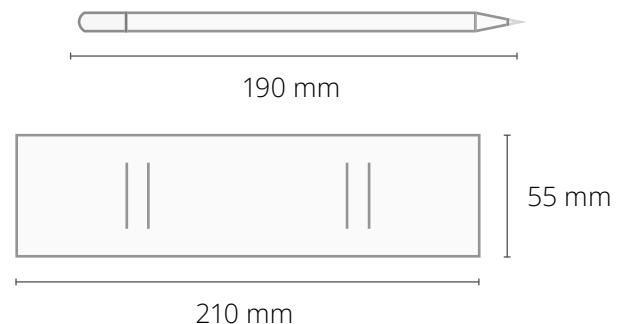
BRANDABLE ELEMENTS

- engraving on the pencil, 5 × 70 mm
- * Optional:
 - packaging with planting instructions on the back. two-sided full color print, paper white eco or kraft

OTHER ELEMENTS

- pencil with chosen seeds

DIMENSIONS



Paper pen

Pen made of paper - available in all rainbow colors and nature friendly. We attach to it a capsule with selected seeds and put it in a matching package.



Available pen colors:



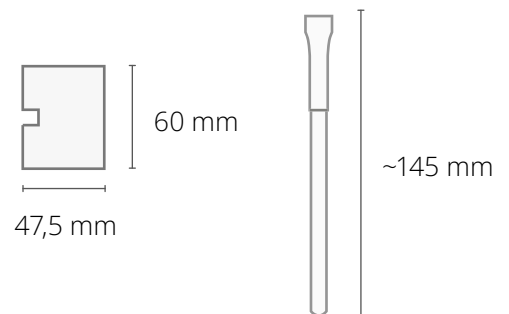
BRANDABLE ELEMENTS

- pen cover with planting instructions on the back full color print, paper white eco or kraft
- * Optional:
 - print on the pen in quantities in multiples of 100 pcs, max. 6 × 50 mm
 - from 50 pcs, colorful pen

OTHER ELEMENTS

- pen made out of paper
- seeds of a chosen plant in a biodegradable capsule

DIMENSIONS



Nature box

Planting set with a big, convenient peat pot in an ecological box.



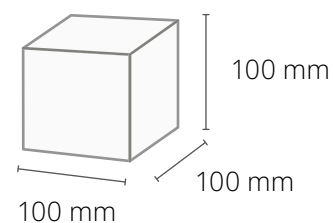
BRANDABLE ELEMENTS

- wrap on the box, full color print, paper white eco or kraft
- wrap on the pot with planting instructions, full color print, paper white eco or kraft
- * Optional:
 - full color print on the box

OTHER ELEMENTS

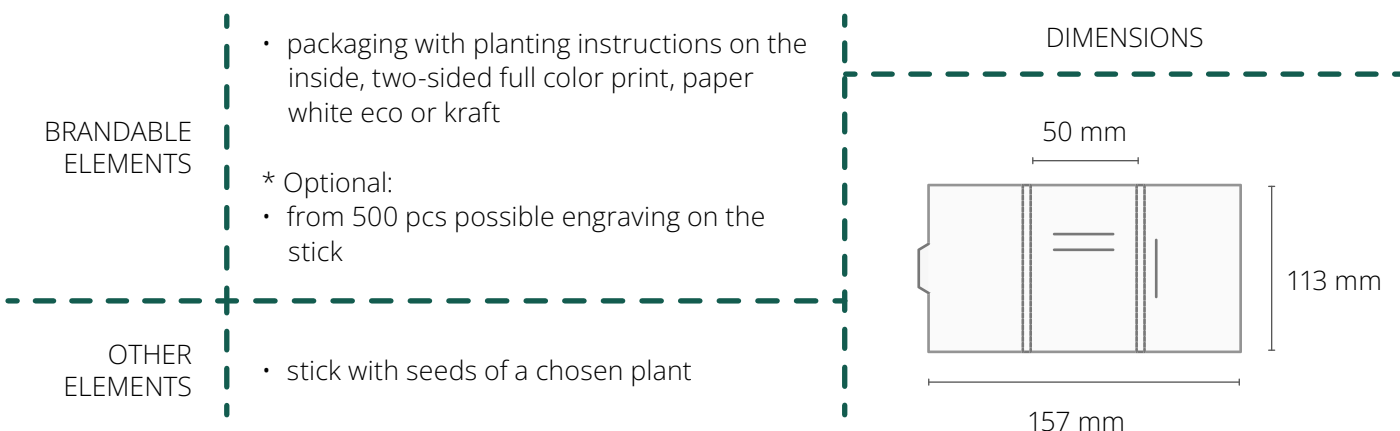
- peat pot
- peat pellet / coco pellet
- seeds of a chosen plant in a biodegradable capsule
- kraft box

DIMENSIONS



Plant stick

Put the stick in the ground, water it and ...ready! You just created a new, green life. :) Take care of it and watch it grow!



Available seeds

A list of our recommended seeds, but we are open to suggestions. :)



basil



lemon balm



thyme



chili pepper



**cherry
tomato**



camomile



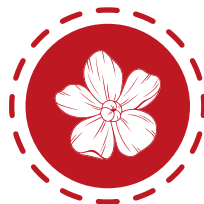
calendula



garden cosmos



daisy



forget-me-not



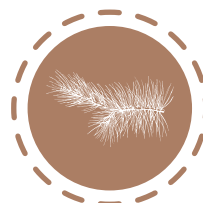
zinnia



pine tree



spruce tree



fir tree



plane tree



**anti - mosquito
mix**



**flower
meadow**



**butterfly luring
mix**



**anti - smog
mix**

Save the bees

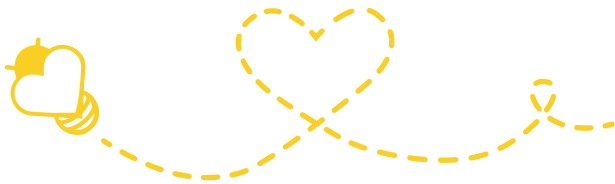
Contribute to saving bees and choose gifts that can make their lives easier!



Bee House

A bee kit with natural honey, a wooden spoon, and a mix of nectar-producing plants in a capsule. Eat it, then sow it - the bees will be grateful!

NEW



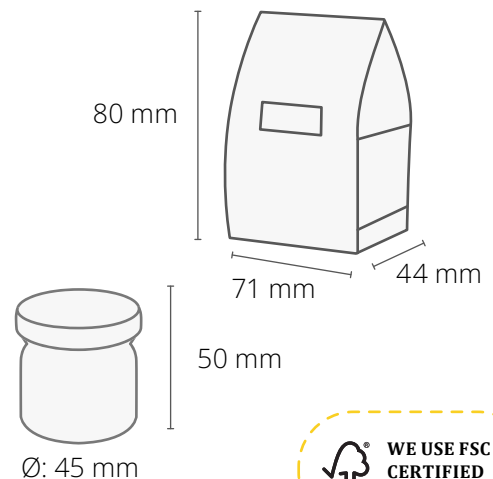
BRANDABLE ELEMENTS

- packaging, full color print, paper white eco or kraft
- full color label on the jar, 52 × 20 mm
- full color label on the lid, Ø: 25 mm

OTHER ELEMENTS

- seeds of a chosen plant in a biodegradable capsule
- wooden spoon
- honey in a jar
- label with instructions on the bottom of the jar, Ø: 25 mm

DIMENSIONS



Bee Bomb in a glass jar

Bee Bomb is a specially hardened ball full of seeds and biohumus. It contains a composition of wild honey flowers.

Throw a bee bomb on a neglected city lawn, in a park or just crumble it into a flower pot on the windowsill. You'll create small flower meadow - a real bee buffet!



AVAILABLE LID COLORS



white



black
shine

BRANDABLE ELEMENTS

- full color label on the jar, 52 × 20 mm
- full color label on the lid, Ø: 25 mm
- * Optional:
 - box with a full color label Ø: 25 mm or full color print

OTHER ELEMENTS

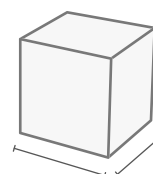
- a bee bomb
- glass jar 40 ml
- label with instructions on the bottom of the jar, Ø: 25 mm
- * Optional:
 - kraft box

DIMENSIONS



50 mm

Ø: 45 mm



58 mm

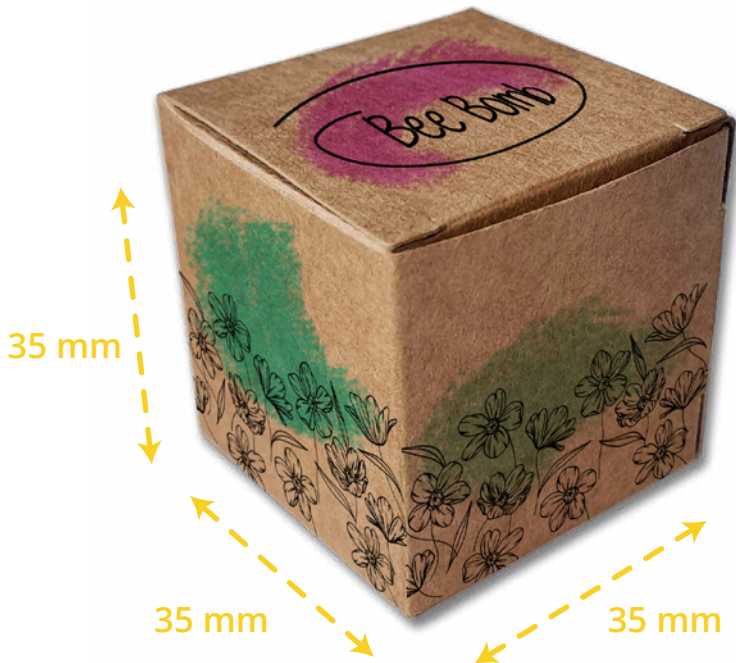
55 mm

55 mm

Bee Bomb in a paper box

Bee Bomb is a specially hardened ball full of seeds and biohumus. It contains a composition of wild honey flowers.

Throw a bee bomb on a neglected city lawn, in a park or just crumble it into a flower pot on the windowsill. You'll create small flower meadow - a real bee buffet!



BRANDABLE ELEMENTS	<ul style="list-style-type: none"> • box, full color print, paper white eco or kraft 	DIMENSIONS
OTHER ELEMENTS	<ul style="list-style-type: none"> • a bee bomb 	



Bee Bomb in a paper wrap

Bee Bomb is a specially hardened ball full of seeds and biohumus. It contains a composition of wild honey flowers.

Throw a bee bomb on a neglected city lawn, in a park or just crumble it into a flower pot on the windowsill. You'll create small flower meadow - a real bee buffet!



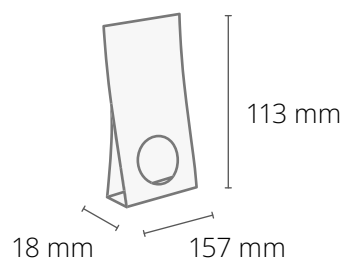
BRANDABLE ELEMENTS

- wrap with instructions on the back, full color print, paper white eco or kraft

OTHER ELEMENTS

- a bee bomb

DIMENSIONS



Bee Bomb in a jute bag

Bee Bomb is a specially hardened ball full of seeds and biohumus. It contains a composition of wild honey flowers.

Throw a bee bomb on a neglected city lawn, in a park or just crumble it into a flower pot on the windowsill. You'll create small flower meadow - a real bee buffet!



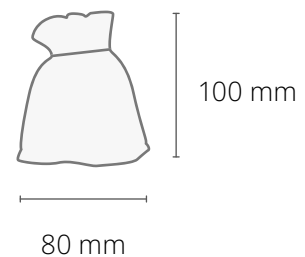
BRANDABLE ELEMENTS

- tag with instructions on the back side, full color print, paper white eco or kraft, 50 × 70 mm

OTHER ELEMENTS

- a bee bomb
- natural jute bag

DIMENSIONS



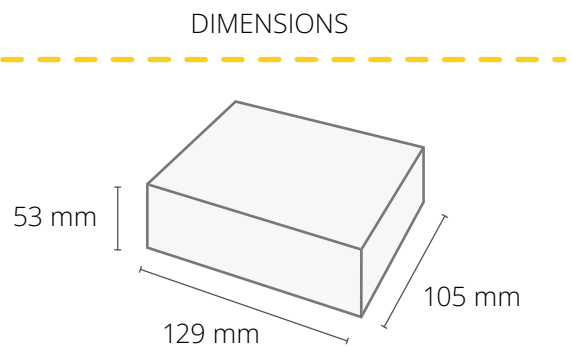
Microcosmos

We present a small system of planets, consisting of three celestial bodies.

Each planet is a different biosphere - it contains a different set of plants. Add some water and watch those life forms sprout.



BRANDABLE ELEMENTS	<ul style="list-style-type: none"> • insert, full color print, kraft paper • wrap on box, full color print, paper white eco or kraft • bee bomb colors <p>* Optional:</p> <ul style="list-style-type: none"> • from 500 pcs full color print on box
OTHER ELEMENTS	<ul style="list-style-type: none"> • 3 chosen bee bombs • kraft box



Bee Bombs - 4-pack in a case

This box contains four bee bombs integrated into the case. In addition to standard meadow bombs, we also offer colored versions.

The colors correspond to the colors of the plants contained in the bombs – choose your mix!



BRANDABLE ELEMENTS

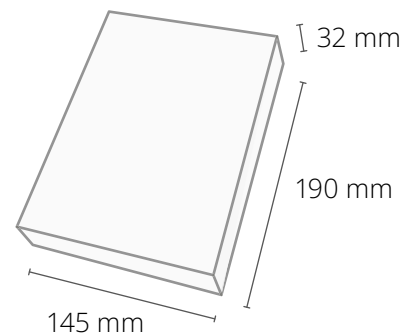
- insert, full color print, kraft paper
- wrap on box, full color print, paper white eco or kraft
- bee bomb colors

- * Optional:
- from 500 pcs full color print on box

OTHER ELEMENTS

- 4 chosen bee bombs
- kraft box

DIMENSIONS



BeeLove compact

A compact set filled with bee products. Honeycomb candle, a seed ball with seeds of melliferous plants and natural honey in a glass jar.



BRANDABLE ELEMENTS

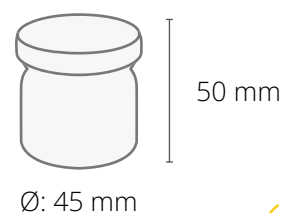
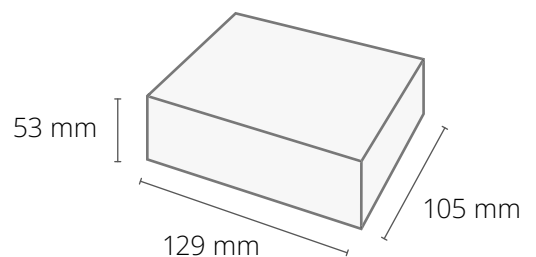
- insert, full color print, kraft paper
- full color label on the jar, 52 × 20 mm
- full color label on the lid, Ø: 25 mm
- bee bomb color
- wrap on box, full color print, paper white eco or kraft

- * Optional:
- from 500 pcs full color print on box

OTHER ELEMENTS

- honeycomb candle
- a bee bomb
- honey in a jar
- label with instructions on the bottom of the jar, Ø: 25 mm
- kraft box

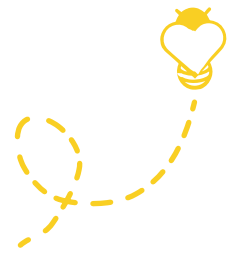
DIMENSIONS



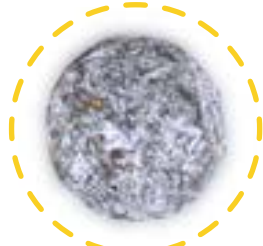
Available colorful Bee bombs



**light brown
with a flower
meadow mix**



**pink with a mixture
of poppies**



**blue with a mixture of
blue wildflowers**



**green with a
mixture of herbs**



**yellow with a mixture of
yellow wildflowers**



**dark brown
with a anti-
mosquito mix**



Bee case

A set of bee accessories in a perfectly fitting box. Propolis soap, honey and bee bomb. Made in consultation with the hive!



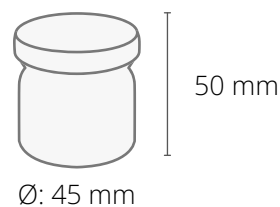
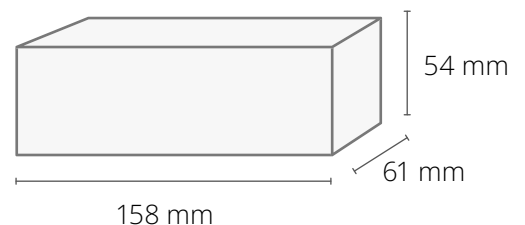
BRANDABLE ELEMENTS

- wrap on the box, full color print, paper white eco or kraft
- jar with honey or a bee bomb:
 - full color label on the jar, 52 × 20 mm
 - full color label on the lid, Ø: 25 mm

OTHER ELEMENTS

- bee bomb in a glass jar,
- natural honey-propolis soap
- multifloral honey
- insert
- informational label on the bottom of the jar, Ø: 25 mm
- kraft box

DIMENSIONS



Ready plants

**A grown plant in an elegant package - with your branding, of course.
Green and impressive: such a gift cannot be forgotten!**



Moss in a pot

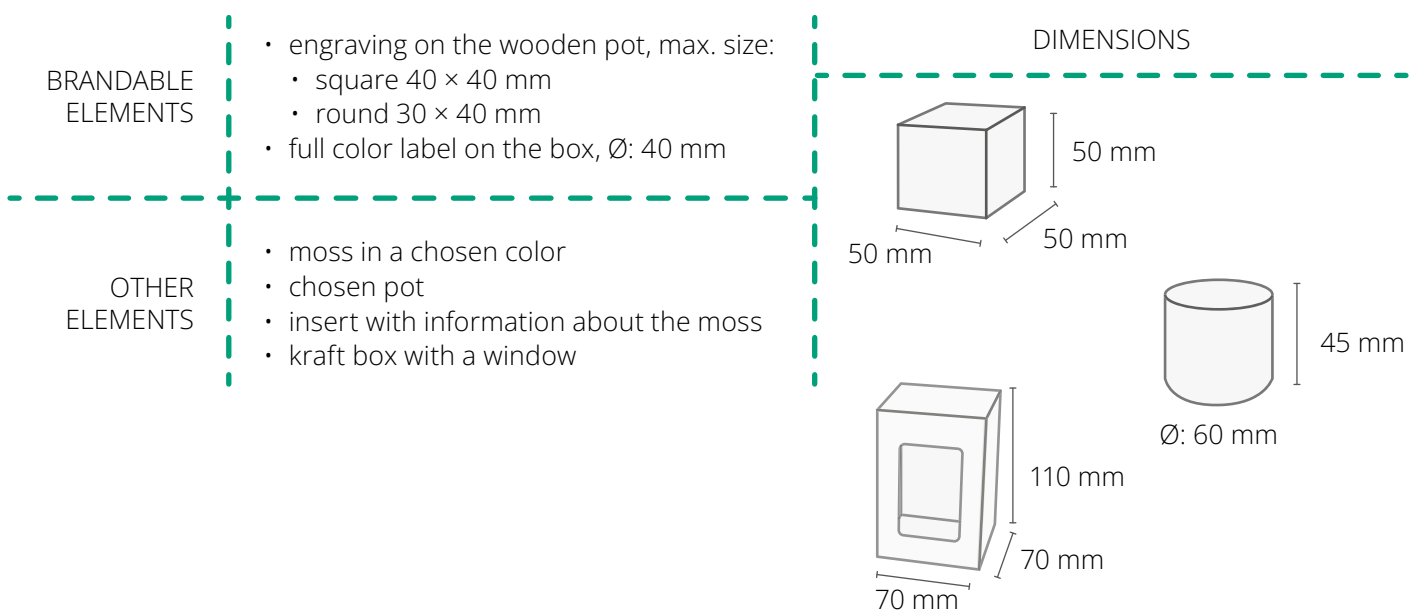
Moss in a wooden pot. Looks phenomenal, is available in various colors, shapes and ... it does not need to be watered because it draws moisture from the air.



square



round



Tillandsia case

A tropical air plant - unique species that has no roots and takes nutrients directly from the air.

It doesn't need a pot or watering, which makes it perfect for glamorous display. Rather easy to grow, just right for the desk and for the forgetful. The set includes an engraved base, a metal postument and a plant.



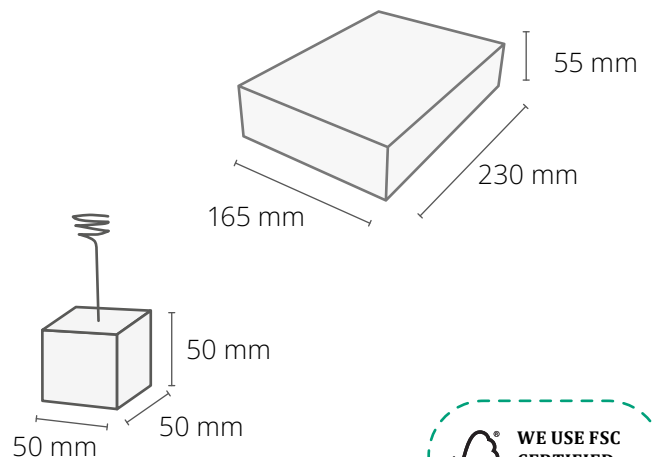
BRANDABLE ELEMENTS

- Insert, full color print, paper white eco or kraft
- engraving on the wooden cube, max. size 40 × 40 mm
- wrap on box, full color print, paper white eco or kraft
- * Optional:
- from 500 pcs full color print on box

OTHER ELEMENTS

- tillandsia
- wooden cube
- metal postument
- kraft box

DIMENSIONS



Plant in a jute bag

A chosen living plant, tastefully packed in a jute bag and a kraft box.



peace lilly

cypress

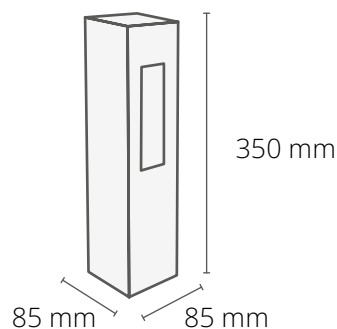
BRANDABLE ELEMENTS

- tag with care instructions on the back, full color print, paper white eco or kraft, 50 × 70 mm
- full color label on the box, Ø: 45 mm
- * Optional:
 - full color print on the box

OTHER ELEMENTS

- chosen plant (e.g. spruce, cypress, peace lilly)
- kraft box
- jute bag (light or dark)
- wooden clip

DIMENSIONS



Coffee, tea & sweets

Aromatic coffee, tea and sweets - classics of gift giving. Add generous branding, high quality and success is guaranteed.



Sweet card

There is no message that cannot be sweetened by chocolate! A5 folded to A6, with delicious medallion from a European manufacturer.



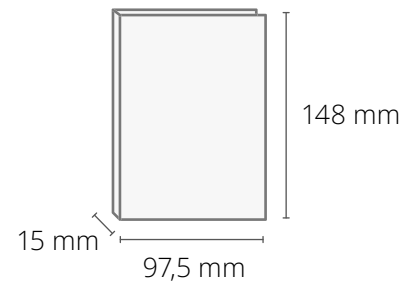
BRANDABLE ELEMENTS

- card, full color two-sided print, paper white eco or kraft, A5 format folded to A6

OTHER ELEMENTS

- chosen chocolate medallion

DIMENSIONS



SELECTION OF CHOCOLATE MEDALIONS



milk with strawberries



milk with raspberries



milk with peaches



white



milk with raspberries



milk with strawberries



dark with nuts



dark with pistachios



dark with cranberries



milk with peaches



milk with raspberries & blueberries



milk with plums & cinnamon



white with raspberries



white with strawberries



white



milk with raspberries & blueberries



milk with plums & cinnamon



milk with cherries & blueberries



milk with cranberries

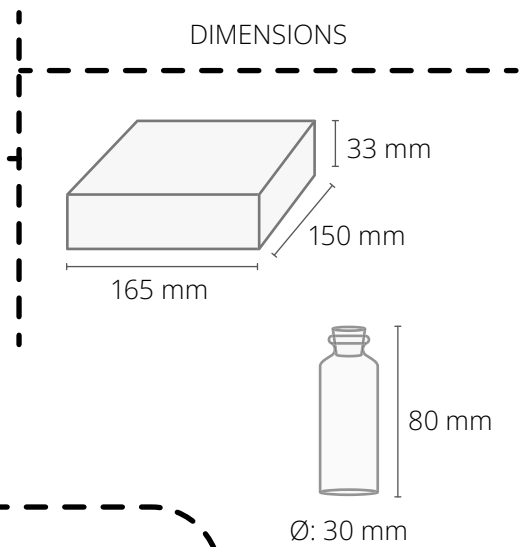


Tea & sweets

Two types of premium teas, honey and delicious chocolate - a perfect idea for a moment just for yourself.



SET ELEMENTS	<ul style="list-style-type: none"> • chosen chocolate medalion • sachet with honey • 2x vial with tea
BRANDING	<ul style="list-style-type: none"> • insert, full color print, paper white eco or kraft • wrap on box, full color print, paper white eco or kraft • chosen teas • chosen chocolate medalion



SELECTION OF CHOCOLATE MEDALIONS



Coffee & Tea in a jar

Hot, rich-flavoured coffee and aromatic tea are advertising evergreens. Carefully and ecologically packed, they will work in every situation.



BRANDABLE ELEMENTS

- full color UV label on a transparent foil, 65 × 57 mm
- full color label on the lid, Ø: 70 mm
- full color tag, paper white eco or kraft, 30 × 65 mm
- full color label on the box, Ø: 45 mm
- informational card, full color print, paper white eco, 70 × 70 mm
- chosen coffee or tea
- lid color

- * Optional:
- full color print on the box

OTHER ELEMENTS

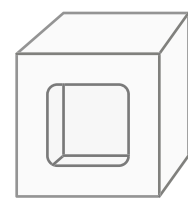
- glass jar 350 ml
- kraft box with a window

DIMENSIONS



95 mm

Ø: 75 mm



100 mm

100 mm

100 mm



Coffee & Tea in a bag

Hot, rich-flavoured coffee and aromatic tea are advertising evergreens. Carefully and ecologically packed, they will work in every situation.



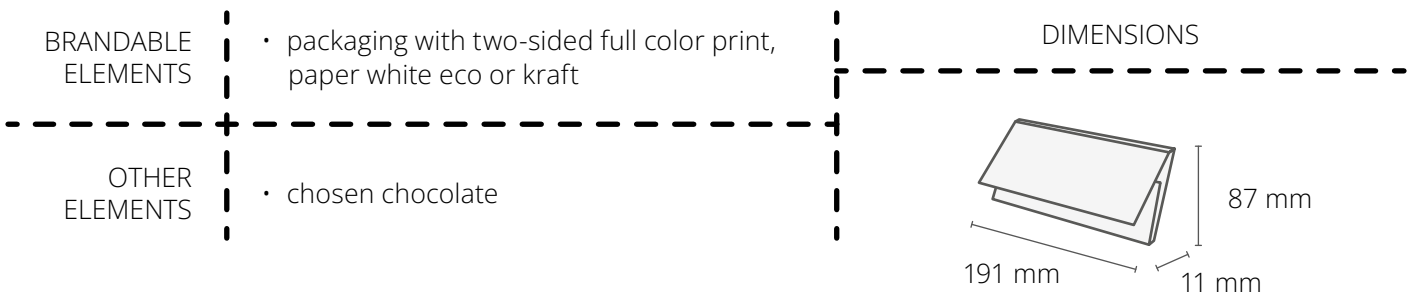
BRANDABLE ELEMENTS	<ul style="list-style-type: none"> • full color label • chosen coffee or tea 	DIMENSIONS
OTHER ELEMENTS	<ul style="list-style-type: none"> • bag kraft or foil • informational label on the back of the bag 	The size of the bag is adjusted to the weight of the coffee or tea.



Eco choco

small 53 g

Chocolate: in a world of gifts, all-time classic. It's really hard to ignore, especially if it is handmade, with sunken fruits and beautifully wrapped in a custom printed package.



SMALL chocolates without sugar 53 g

WHITE			MILK			DARK	
pistachio and chokeberry	strawberry and cherry	strawberry	strawberry and chokeberry	plum and apple	strawberry	currant and cranberry	pistachio and almond

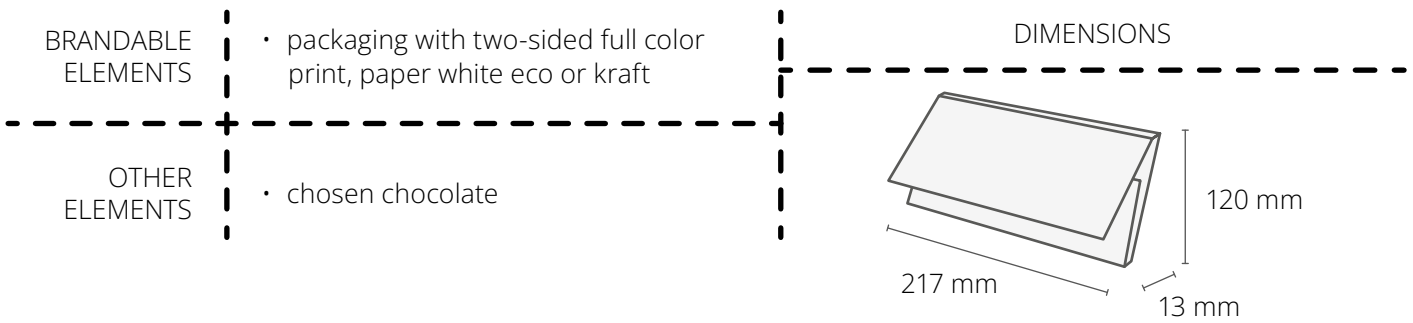
Also available in BIO certified version.



Eco choco

large 105 g

Chocolate: in a world of gifts, all-time classic. It's really hard to ignore, especially if it is handmade, with sunken fruits and beautifully wrapped in a custom printed package.



LARGE chocolates 105 g

WHITE			MILK			
pistachio and almond	strawberry and cherry	strawberry	strawberry and chokeberry	plum and apple	red and black currant	pistachio and chokeberry
DARK			BITTER 72%			
pistachio	strawberry	cranberry	apple, plum and strawberry	pistachio and almond	strawberry	



Relax & SPA

Everybody could use some comfort. Give your client gifts, that will make them feel like they are on a wellness session or in a fancy SPA.



Eyebag with lavender

Lie down, close your eyes and let yourself go - it's your moment of peace. Handmade in the EU, relaxing bag is filled with linseed and natural, soothing lavender.



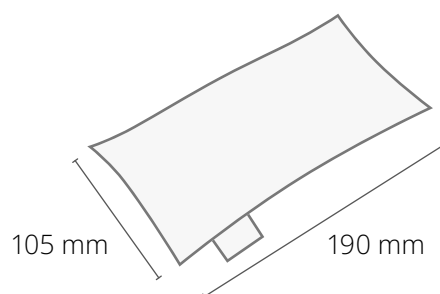
BRANDABLE ELEMENTS

- choice of fabric pattern
- tag with logo (black & white), 30 × 20 mm
- wrap, full color print, paper white eco or kraft, 90 × 202 mm
- * Optional:
 - direct full color print on the fabric

OTHER ELEMENTS

- insert with dried lavender and linseeds

DIMENSIONS



SAMPLE FABRIC PATTERNS



Cherry pit warmer

Warms you the same way Kirch does but doesn't cause a headache. Handmade bag with your branding includes cherry pits that hold in warmth. An excellent choice for cold, fall/winter days.



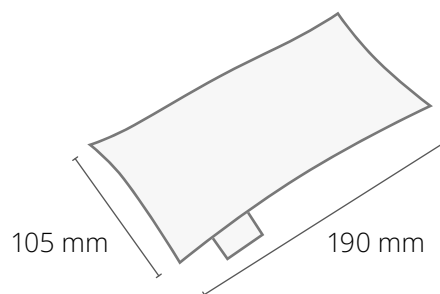
BRANDABLE ELEMENTS

- choice of fabric pattern
 - tag with logo (black & white), 30 × 20 mm
 - wrap, full color print, paper white eco or kraft, 90 × 219 mm
- * Optional:
- direct full color print on the fabric

OTHER ELEMENTS

- insert with cherry pits

DIMENSIONS



SAMPLE FABRIC PATTERNS



 WE USE FSC
CERTIFIED
PAPER

Pearled candle

Shiny, plant based wax, in the form of pearles. Insert a wick, add a scent and the candle is ready. After extinguishing the candle and removing the wick the remaining wax is like new!



Pearled candle in elegant glass. The box includes 3 wicks and a chosen scented oil.



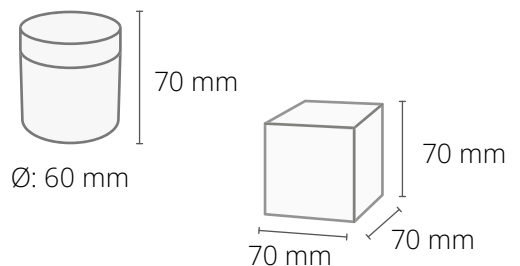
BRANDABLE ELEMENTS

- box, one sided full color print, paper white eco or kraft
- UV label on the jar, 60 × 40 mm
- full color label on the jar lid, Ø: 45 mm

OTHER ELEMENTS

- 50 g of pearled plant based wax
- 3 wicks
- selected fragrance oil 2 ml
- glass vessel for the wax, 120 ml

DIMENSIONS



Pearled candle - Do It Yourself set

One set, many possibilities. The box includes a bag of pearled wax, a glass container, 5 wicks and selected scented oil. Preparing your own candle has never been easier.



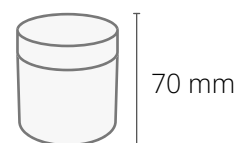
BRANDABLE ELEMENTS

- UV label on the jar, 60 × 40 mm
- full color label on the lid, Ø: 45 mm
- full color label on the oil, 50 × 22 mm
- full color label on the bag with wax, Ø: 40 mm
- full color label on the tissue paper, Ø: 25 mm
- full color label with user manual on the box, 80 × 100 mm

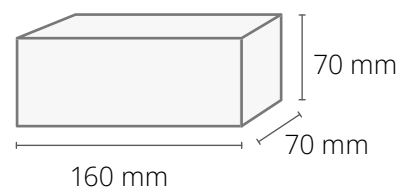
OTHER ELEMENTS

- 120 g of pearled plant based wax
- 5 wicks
- selected fragrance oil with a dispenser, 5 ml
- glass container for the wax, 120 ml
- kraft box
- tissue paper

DIMENSIONS



Ø: 60 mm



AVAILABLE SCENTED OILS FOR THE PEARLED CANDLE



cotton elderflower cinnamon chocolate christmas tree baked apple coconut lavender mango orange gingerbread rose lemon grass vanilla

Plant based scented candles in a jar

Plant based wax instead of toxic paraffin, natural essential oils instead of aromas, elegant glass in place of plastic.



BRANDABLE ELEMENTS

- full color UV label on a transparent foil, 65 × 57 mm
 - full color label on the lid, Ø: 70 mm
 - full color tag, paper white eco or kraft
 - small candle: 27 × 42 mm
 - large candle: 30 × 65 mm
 - full color label on the box, Ø: 45 mm
 - informational card, full color print, paper white eco, 70 × 70 mm
 - plant based wax with a chosen scent
 - lid color
- * Optional:
- full color print on the box

OTHER ELEMENTS

- glass jar
 - small candle: 235 ml
 - large candle: 350 ml
- kraft box with a window

DIMENSIONS

SMALL
235 ml



65 mm

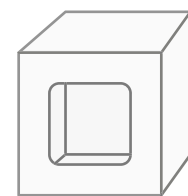
Ø: 75 mm

LARGE
350 ml



95 mm

Ø: 75 mm



100 mm

100 mm

100 mm

AVAILABLE LID COLORS



white



black
shine



black
matt

ASK ABOUT AVAILABLE SCENTS



WE USE FSC
CERTIFIED
PAPER

Candle in a glass with a wooden lid

Plant based candle in glass with engraved wooden closure.
Elegant form, ecological finish.



BRANDABLE ELEMENTS

- full color UV label on the glass, 60 × 40 mm
- full color label on the box, Ø: 40 mm
- engraving on the lid, max. Ø 50 mm

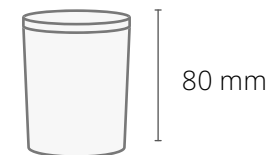
* Optional:

- from 1000 pcs possible direct full color print on box

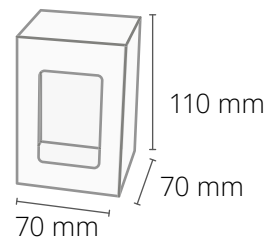
OTHER ELEMENTS

- glass with a wooden lid
- informational label on the bottom of the glass, Ø: 35 mm
- kraft box with a window

DIMENSIONS



Ø: 70 mm



ASK ABOUT AVAILABLE SCENTS

Massage candle

Special plant based wax with essential oils in tasteful ceramic package. Take your clients to the SPA without leaving their homes!



BRANDABLE ELEMENTS

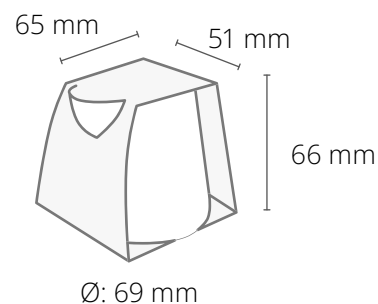
- wrap, full color print, paper white eco or kraft
- plant based wax with a chosen scent
- full color label on the casing, Ø: 27 mm

- * Optional:
- direct print on the casing

OTHER ELEMENTS

- ceramic casing
- wooden wick

DIMENSIONS



ASK ABOUT AVAILABLE SCENTS

WE USE FSC
CERTIFIED
PAPER

Plant based hand made soaps

Hand-made, fragrant soaps, created according to the original recipes. Soaps can have different shapes, colors, weights, types of packaging and, above all, fragrances and properties.



Soap with an embedded film (various weights and shapes)



Soap from a mold, 'nugget' 90g

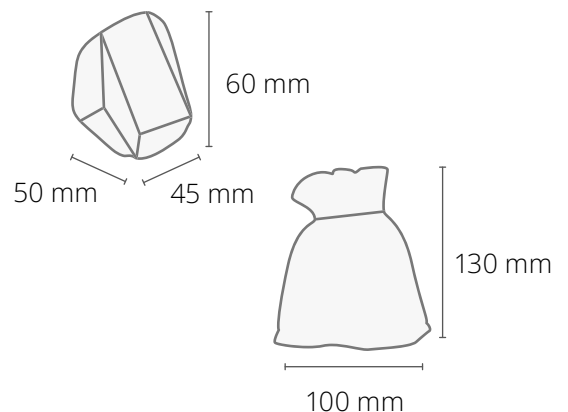
BRANDABLE ELEMENTS

- chosen color and scent
- tag, full color print, paper white eco or kraft, 50 × 70 mm
- * Optional:
 - full color film embedded in the soap

OTHER ELEMENTS

- chosen soap
- * Optional:
 - natural jute bag

DIMENSIONS



ASK ABOUT AVAILABLE SCENTS



Plant based hand made soaps from a '100% HAND MADE' mold

Hand-made, fragrant soaps, created according to the original recipes. Soaps can have different shapes, colors, weights, types of packaging and, above all, fragrances and properties.



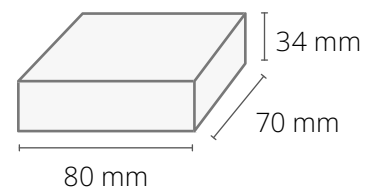
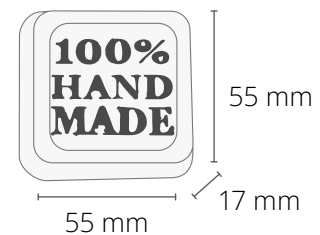
BRANDABLE ELEMENTS

- chosen color and scent
- tag, full color print, paper white eco or kraft, 50 × 70 mm
- * Optional:
 - wrap on the box, full color print, paper white eco or kraft

OTHER ELEMENTS

- chosen soap
- * Optional:
 - kraft box
 - natural jute bag

DIMENSIONS



ASK ABOUT AVAILABLE SCENTS



Natural bath salt in a jar

Do you want to show your customer that you care for them? Give them a SPA in a gift. Natural, local bath salts are an original gift with class.



BRANDABLE ELEMENTS

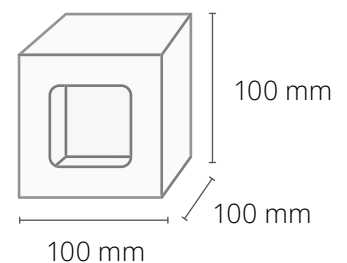
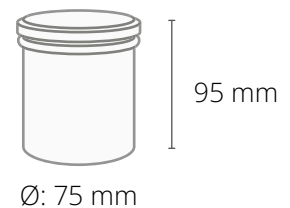
- full color UV label on a transparent foil, 65 × 57 mm
- full color label on the lid, Ø: 70 mm
- full color tag, paper white eco or kraft, 30 × 65 mm
- full color label on the box, Ø: 45 mm
- informational card, full color print, paper white eco, 70 × 70 mm
- chosen composition of bath salts, 350 g
- lid color

- * Optional:
- full color print on the box

OTHER ELEMENTS

- glass jar 350 ml
- kraft box with a window

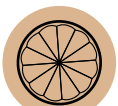
DIMENSIONS



BATH SALTS ADDITIONS



lavender



dried orange



cinnamon



rose petals

AVAILABLE LID COLORS



white



black shine



black matt



WE USE FSC
CERTIFIED
PAPER

Natural bath salt in a bag

Do you want to show your customer that you care for them? Give them a SPA in a gift. Natural, local bath salts are an original gift with class.



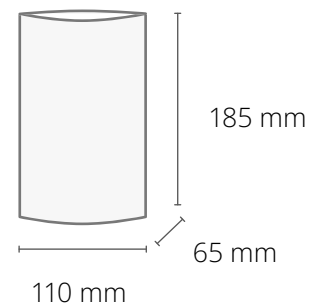
BRANDABLE ELEMENTS

- full color label, 75 × 110 mm
- chosen composition of bath salts 200 g

DIMENSIONS

OTHER ELEMENTS

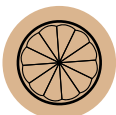
- kraft sachet
- informational label on the back of the sachet



BATH SALTS ADDITIONS



lavender



dried orange



cinnamon



rose petals



WE USE FSC
CERTIFIED
PAPER

Sets

Choosing gifts for a set can take time - so we have ready-made, proven suggestions for you.

Any other set - write to us, we'll make a quote for you!



Chill and grow

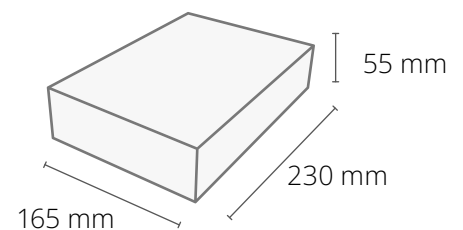
Eyebag with lavender / Cherry pit warmer and a set for growing a plant. For true chill specialists.



- SET ELEMENTS
- Eyebag with lavender / Cherry pit warmer
 - peat pellet / coco pellet
 - kraft box
 - ceramic pot
 - seeds of a chosen plant in a biogradable capsule

- BRANDING
- insert with planting instructions, full color print, paper white eco or kraft
 - full color label on the pot Ø: 20 mm
 - wrap on box, full color print, paper white eco or kraft
 - choice of bag fabric pattern
 - tag for the bag with logo (black & white), 30 × 20 mm

BOX DIMENSIONS



Chill and tea

Eyebag with lavender / Cherry pit warmer and premium tea. A classic of the genre of evening relaxation.



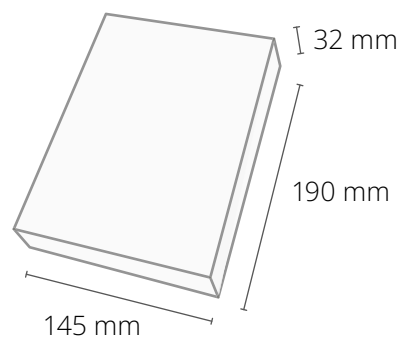
SET ELEMENTS

- Eyebag with lavender / Cherry pit warmer
- tea in a kraft bag

BRANDING

- insert, full color print, paper white eco or kraft
- full color label on the tea bag, 45 × 80 mm
- wrap on box, full color print, paper white eco or kraft
- choice of bag fabric pattern
- tag for the bag with logo (black & white), 30 × 20 mm

BOX DIMENSIONS



Warmth & serenity

Two-pack containing a cherry pit warmer and an eyebag with lavender. Something for real autumn lovers!



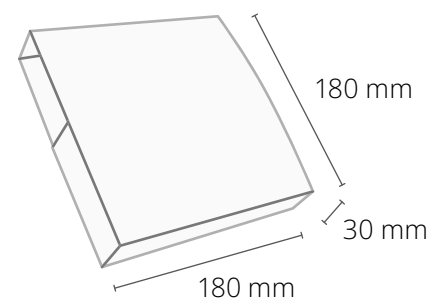
SET ELEMENTS

- Eyebag with lavender
- Cherry pit warmer

BRANDING

- choice of fabric pattern
- 2× tag for the bag with logo (black & white), 30 × 20 mm
- packaging, full color print, paper white eco or kraft

DIMENSIONS



ECOoffice set

A set of office essentials in an ecological version. A growing pencil, a paper pen, a sharpener, a sticky notebook and a beech wood container to keep your desk tidy!



BRANDABLE ELEMENTS

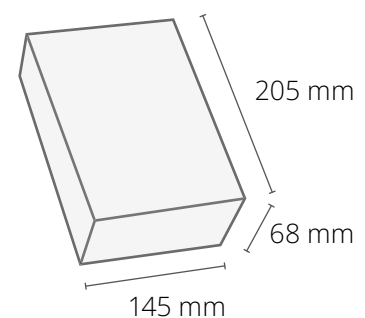
- engraving on the wooden casing, maximal size: 30 × 80 mm
- engraving on the pencil, 5 × 70 mm
- insert, full color print, paper white eco or kraft
- wrap on box, full color print, paper white eco or kraft

- * Optional:
- from 500 pcs full color print on box

OTHER ELEMENTS

- wooden casing
- Growing pencil with chosen seeds
- Paper pen
- pencil sharpener
- sticky notes
- kraft box

BOX DIMENSIONS



Eco trinkets

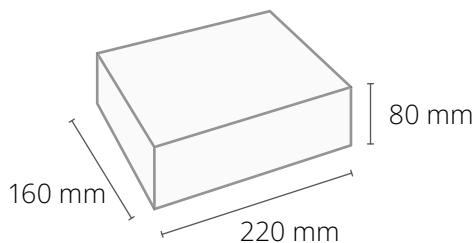
SET ELEMENTS

- Bouquet in a vial
- Plantstick
- Growing pencil
- Bee bomb in a jar
- chocolate heart
- box filling

BRANDING

- all set elements
- card, full color print, paper white eco or kraft, A6 format
- on the box:
 - full color label, Ø: 60 mm, or
 - jute rope with a tag, full color print, paper white eco or kraft, 50 × 70 mm

BOX DIMENSIONS



Cosmos

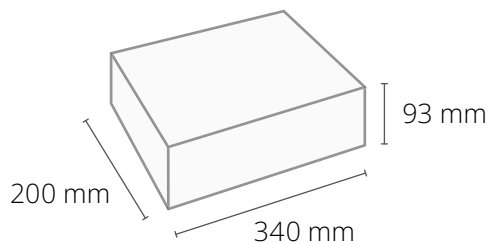
SET ELEMENTS

- Microcosmos
- Growing confetti
- Mini Box
- chocolate medalion
- Coconaut coconut water
- box filling

BRANDING

- all set elements
- card, full color print, paper white eco or kraft, A6 format
- on the box:
 - full color label, Ø: 70 mm, or
 - jute rope with a tag, full color print, paper white eco or kraft, 50 × 70 mm

BOX DIMENSIONS



Bless You!

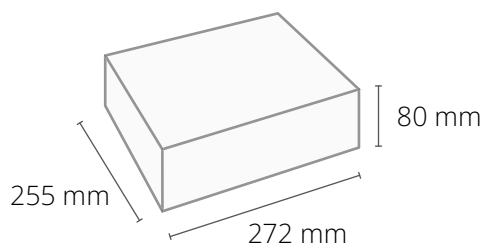
SET ELEMENTS

- Eyebag with lavender
- Anti-smog mix
- Nature's Supplement
- Tea in a bag
- multifloral honey, 120 g
- box filling

BRANDING

- all set elements
- card, full color print, paper white eco or kraft, A6 format
- on the box:
 - full color label, Ø: 70 mm, or
 - jute rope with a tag, full color print, paper white eco or kraft, 50 × 70 mm

BOX DIMENSIONS



BeeLove

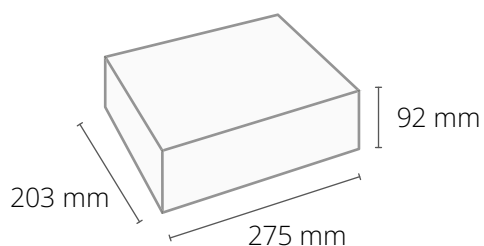
SET ELEMENTS

- Microcosmos
- Large chocolate, 105 g
- candle made from honeycomb
- multifloral honey, 120 g
- box filling

BRANDING

- all set elements
- card, full color print, paper white eco or kraft, A6 format
- on the box:
 - full color label, Ø: 70 mm, or
 - jute rope with a tag, full color print, paper white eco or kraft, 50 × 70 mm

BOX DIMENSIONS



You're NOT sacked!

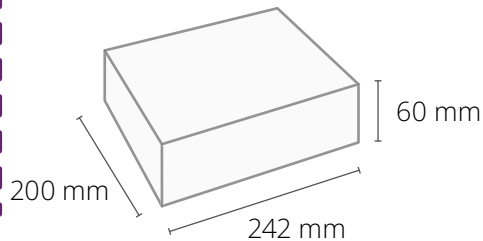
SET ELEMENTS

- Eyebag with lavender
- Cherry pit warmer
- Growing pencil with packaging
- box filling

BRANDING

- all set elements
- card, full color print, paper white eco or kraft, A6 format
- on the box:
 - full color label, Ø: 60 mm, or
 - jute rope with a tag, full color print, paper white eco or kraft, 50 × 70 mm

BOX DIMENSIONS



Good Night's SPA

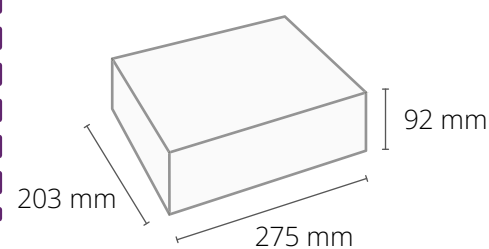
SET ELEMENTS

- Eyebag with lavender
- Small scented candle
- Bath salt in a sachet
- Tea in a bag
- box filling

BRANDING

- all set elements
- card, full color print, paper white eco or kraft, A6 format
- on the box:
 - full color label, Ø: 70 mm, or
 - jute rope with a tag, full color print, paper white eco or kraft, 50 × 70 mm

BOX DIMENSIONS



Christmas DeLuxe 1



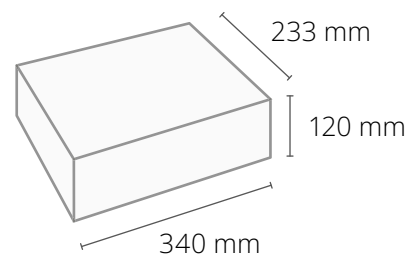
SET ELEMENTS

- Large chocolate, 105 g
- Tea in a bag
- Coffee in a bag
- cup made from coffee grounds
- bottle of currant wine
- box filling

BRANDING

- all set elements
- card, full color print, paper white eco or kraft, A6 format
- on the box:
 - full color label, Ø: 70 mm, or
 - jute rope with a tag, full color print, paper white eco or kraft, 50 × 70 mm

BOX DIMENSIONS



Christmas DeLuxe 2



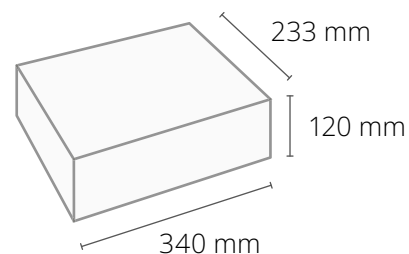
SET ELEMENTS

- Grow kit wooden round
- Growing confetti
- Tea in a bag
- bottle of currant wine
- chocolate medalion
- soap
- box filling

BRANDING

- all set elements
- card, full color print, paper white eco or kraft, A6 format
- on the box:
 - full color label, Ø: 70 mm, or
 - jute rope with a tag, full color print, paper white eco or kraft, 50 × 70 mm

BOX DIMENSIONS



Christmas DeLuxe 3



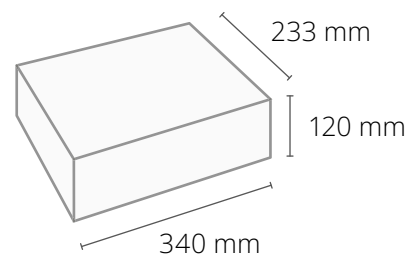
SET ELEMENTS

- Large chocolate, 105 g
- Small scented candle
- Tea in a bag
- Grow kit in a tin
- multifloral honey, 120 g
- box filling

BRANDING

- all set elements
- card, full color print, paper white eco or kraft, A6 format
- on the box:
 - full color label, Ø: 70 mm, or
 - jute rope with a tag, full color print, paper white eco or kraft, 50 × 70 mm

BOX DIMENSIONS



END